

CPVC Pipe & Threaded Fittings

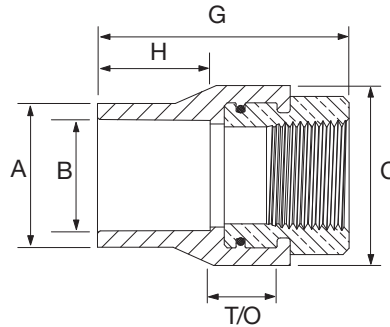
CPVC Fittings

Female Threaded Adaptor, Slip x Female Thread



Sizes	DN20 thru DN50 (3/4" thru 2")
Approvals	UL, C-UL Listed & FM, MEA, NSF, & LPCB Approved
Rated Pressure	12,1 bar (175 psi)
Maximum Temperature Rating	65°C (150°F).
Tech Data Sheet	TFP1915 and Installation Handbook - IH-1900

Manufactured with Lubrizol's BLAZEMASTER® compound ■ Produced from BlazeMaster® thermoplastic compound, RAPID RESPONSE CPVC fittings are designed exclusively for use in wet and dry pipe automatic fire sprinkler systems. ■ Our CPVC is easier to install than traditional steel components, while providing superior heat resistance and strength compared to traditional CPVC and PVC fitting materials.



CPVC Female Threaded Adaptor, Slip x Female Thread															
Part No.	Size				A mm	C mm	G mm	H mm	T/O mm	Weight kg	Approval Listings				
	B Nominal		D Threaded								LPCB	FM	UL	MEA	NSF
	DN	In.	DN	In.											
80142	20	3/4"	20	3/4" NPT	35	43	61	27	21	0.186	✓	✓	✓	✓	✓
80145	25	1"	25	1" NPT	43	52	69	30	23	0.286	✓	✓	✓	✓	✓
80146	32	1-1/4"	32	1-1/4" NPT	52	61	79	34	28	0.467	✓	✓	✓	✓	✓
80147	40	1-1/2"	40	1-1/2" NPT	59	67	87	36	34	0.644	✓	✓	✓	✓	✓
80148	50	2"	50	2" NPT	72	88	100	40	43	1.207	✓	✓	✓	✓	✓
82001	25	1"	25	1" BSP	43	52	69	30	23	0.286	✓	✓	✓	✓	✓
82002	32	1-1/4"	32	1-1/4" BSP	52	61	79	34	28	0.467	✓	✓	✓	✓	✓
82003	40	1-1/2"	40	1-1/2" BSP	59	67	87	36	34	0.644	✓	✓	✓	✓	✓
82004	50	2"	50	2" BSP	72	88	100	40	43	1.207	✓	✓	✓	✓	✓